



'BM' Dimensions (MM)

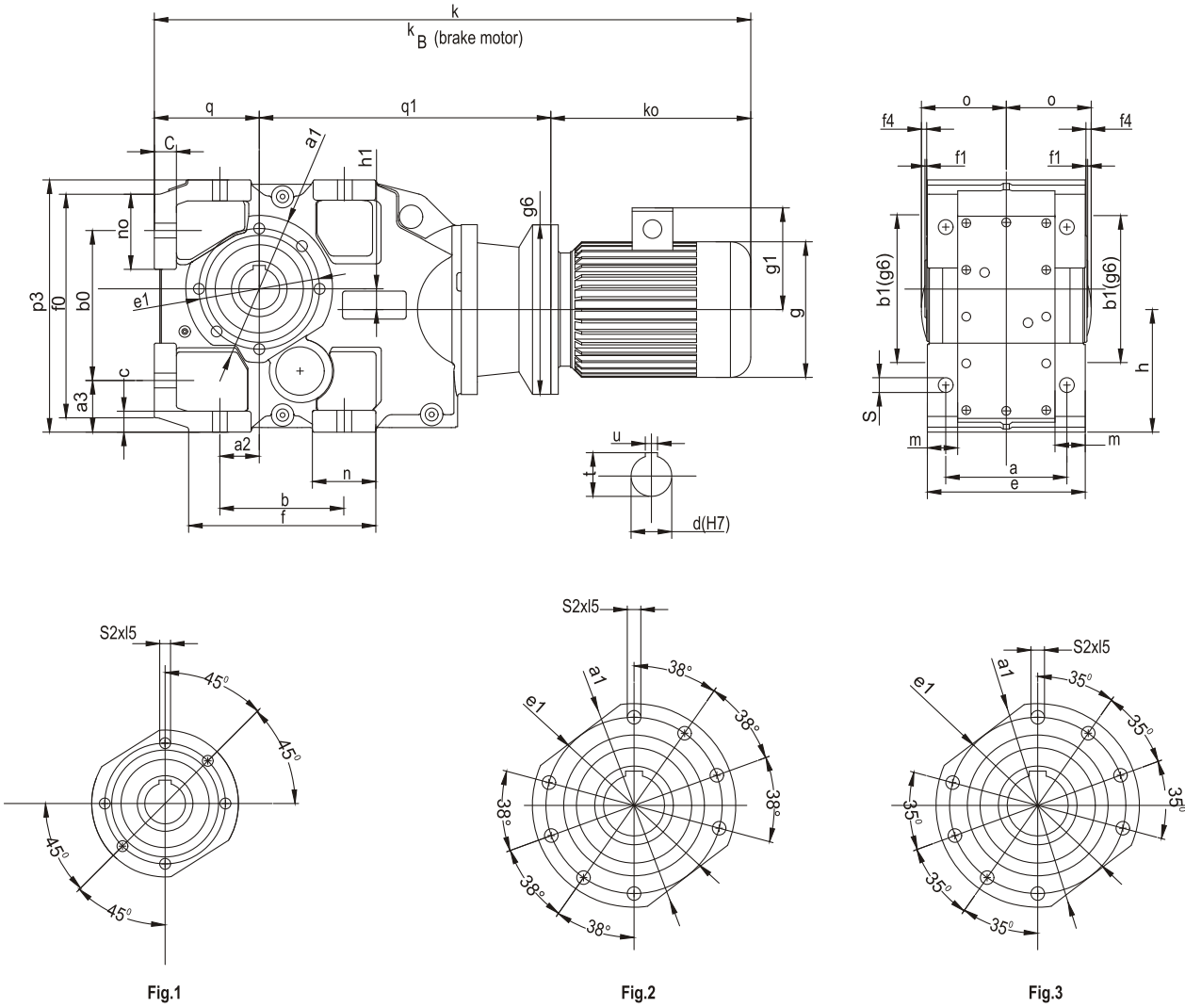


Fig.1

Fig.2

Fig.3

Type	Weight (kg)	g	g1	g6	k(1)	kB(1)	k0(1)	q1	a	a1	a2	a3	b	b0	b1	c	e	e1	f	f0	f1	f4	h	h1	m	n	n0	o	p3	q	s	s2x15	Fig.	d	t	u	
330/63	24.2	123	100	140	502	481	190	242																													
330/71	25.7	138	109	160	531	522	214	247																													
330/80	35.3	156	124	200	549	576	236	242																													
330/90S	33.3	176	129	200	570	595	285	242	100	109	28	32	110	115	80	16	120	94	159	161	2.5	3.5	100	15	18	45	52	60	179	70	11	M8x14	1	30	33.3	8	
330/90L	33.3	176	129	200	591	620	279	242																													
330/100	49.3	194	138	250	621	679	309	242																													
330/112	49.3	218	153	250	640	702	328	242																													
335/63	44.4	123	100	140	587	773	190	300																													
335/71	45.8	138	109	160	616	608	214	305																													
330/80	53.5	156	124	200	633	663	236	300																													
335/90S	55.5	186	129	200	655	682	258	300	140	148	30	45	120	160	105	24	165	125	203	220	3	4	140	22	24	67	60	90	250	97	14	M12x20	1	35	58.3	10	
335/90L	55.5	176	129	200	676	707	279	300																													
335/100	69.5	194	138	250	706	763	309	300																													
335/112	69.5	218	154	250	725	786	328	300																													

'BM' Dimensions (MM)

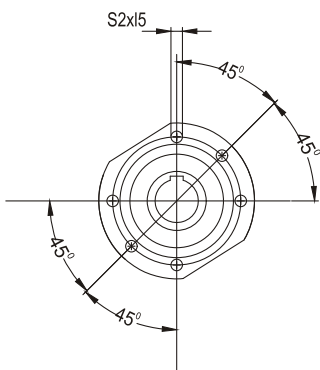
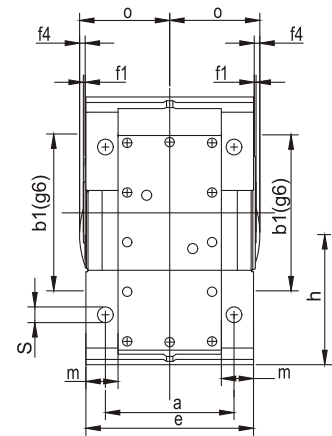
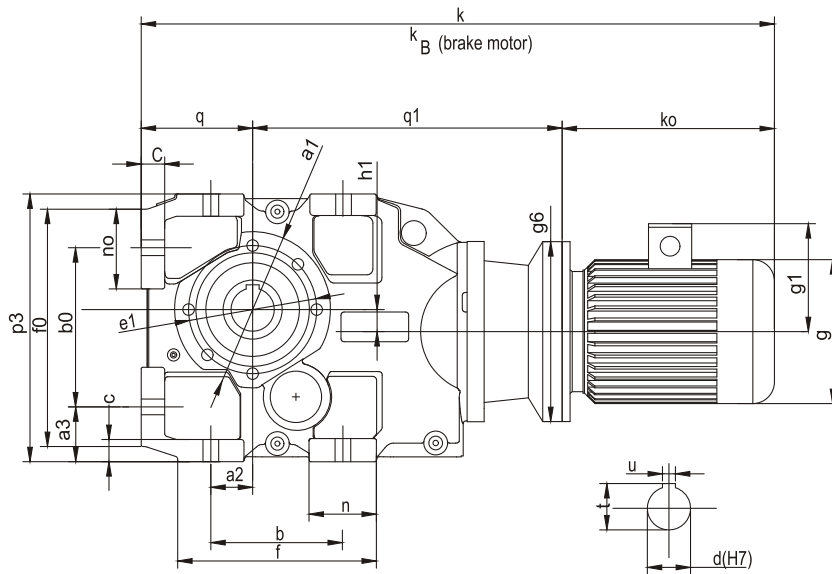


Fig.1

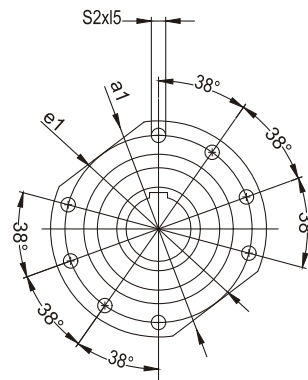


Fig.2

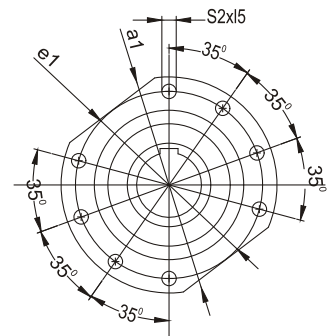


Fig.3

Type	Weight (kg)	g	g1	g6	k(1)	kB(1)	k0(1)	q1	a	a1	a2	a3	b	b0	b1	c	e	e1	f	f0	f1	f4	h	h1	m	n	n0	o	p3	q	s	s2x15	Fig.	d	t	u		
340/63	44.4	123	100	140	587	573	190	300																														
340/71	45.8	138	109	160	616	608	214	305																														
340/80	53.5	156	124	200	633	663	236	300																														
340/90S	55.5	186	129	200	655	682	258	300	140	148	30	45	120	160	105	24	165	125	203	220	3	4	140	22	24	67	60	90	250	97	14	M12x20	1	40	43.3	12		
340/90L	55.5	176	129	200	676	707	279	300																														
340/100	69.5	194	138	250	706	763	309	300																														
340/112	69.5	218	154	250	725	786	328	300																														
345/71	76.2	138	109	160	699	687	214	365																														
345/80	82.7	156	124	200	721	723	236	364																														
345/90S	86.6	186	129	200	685	742	258	364	165	168	40	55	150	200	125	27	200	142	236	282	3.5	4.5	180	40	33	78	88	105	310	120	18	M12x20	2	45	48.8	14		
345/90L	86.6	176	129	200	763	767	279	364																														
345/100	100.7	194	138	250	793	822	309	364																														
345/112	100.7	218	152	250	812	845	328	364																														
345/132S	145.6	258	178	300	855	922	371	364																														
345/132M	145.6	258	178	300	893	960	409	364																														

'BM' Dimensions (MM)

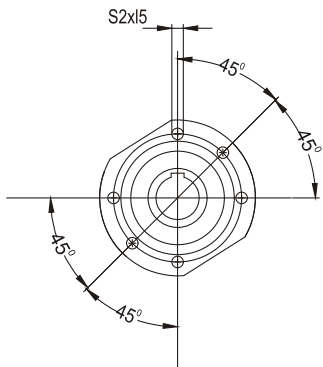
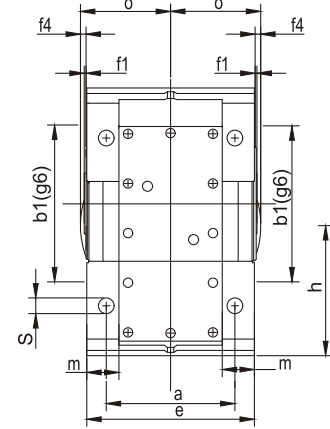
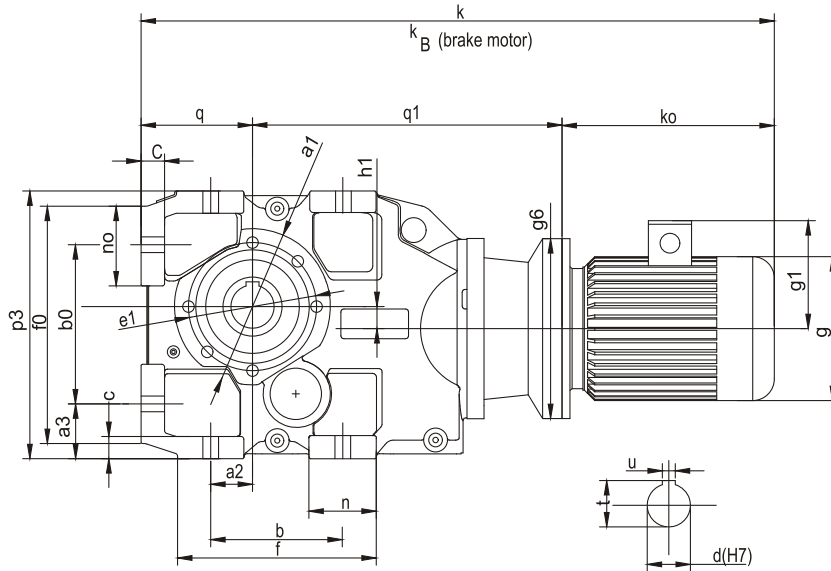


Fig.1

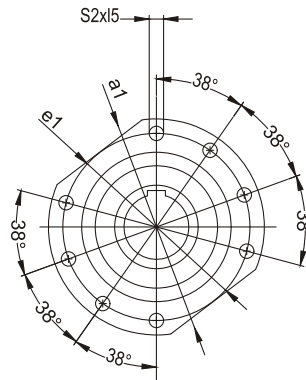


Fig.2

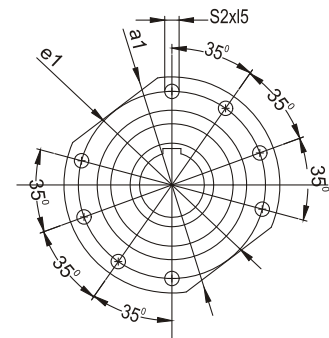


Fig.3

Type	Weight (kg)	g	g1	g6	k(1)	kB(1)	k0(1)	q1	a	a1	a2	a3	b	b0	b1	c	e	e1	f	f0	f1	f4	h	h1	m	n	n0	o	p3	q	s	s2x15	Fig.	d	t	u	
350/71	76.2	138	109	160	699	687	214	365																													
350/80	82.7	156	124	200	721	723	236	364																													
350/90S	86.6	176	129	200	685	742	258	364	165	168	40	55	150	200	125	27	200	142	236	282	3.5	4.5	180	40	33	78	88	105	310	120	18	M12x2C	2	50	53.8	14	
350/90L	86.6	176	129	200	763	767	279	364																													
350/100	100.7	194	138	250	793	822	309	364																													
350/112	100.7	218	152	250	812	845	328	364																													
350/132S	145.6	258	178	300	855	922	371	364																													
350/132M	145.6	258	178	300	893	960	409	364																													
355/80	135.4	156	124	200	822	805	236	431																													
355/90S	137.4	186	129	200	844	824	258	431																													
355/90L	137.4	176	129	200	865	849	279	431																													
355/100	151.5	194	138	250	895	900	309	431																													
355/112	151.5	218	152	250	914	923	328	431																													
355/132S	196.5	258	178	300	957	1001	371	431	180	214	55	70	180	233	155	32	230	178	280	331	4	6	212	32	42	94	112	120	373	155	22	M16x26	1	55	59.3	16	
355/132M	196.5	258	178	300	995	1039	409	431																													
355/160M	235.8	310	223	350	1070	1164	484	431																													
355/160L	235.8	310	232	350	1114	1208	528	431																													
355/180	316.8	355	262	350	1188	1176	602	431																													

'BM' Dimensions (MM)

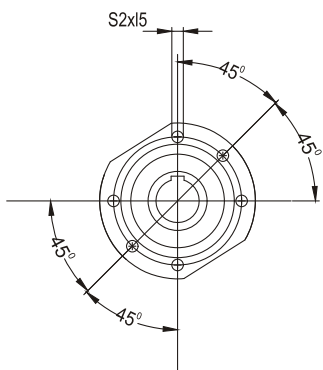
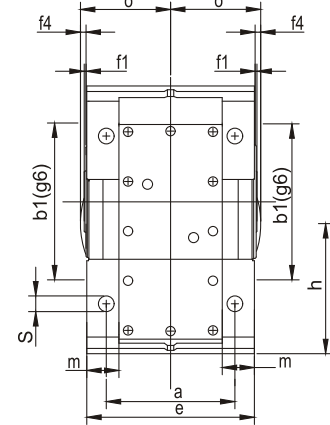
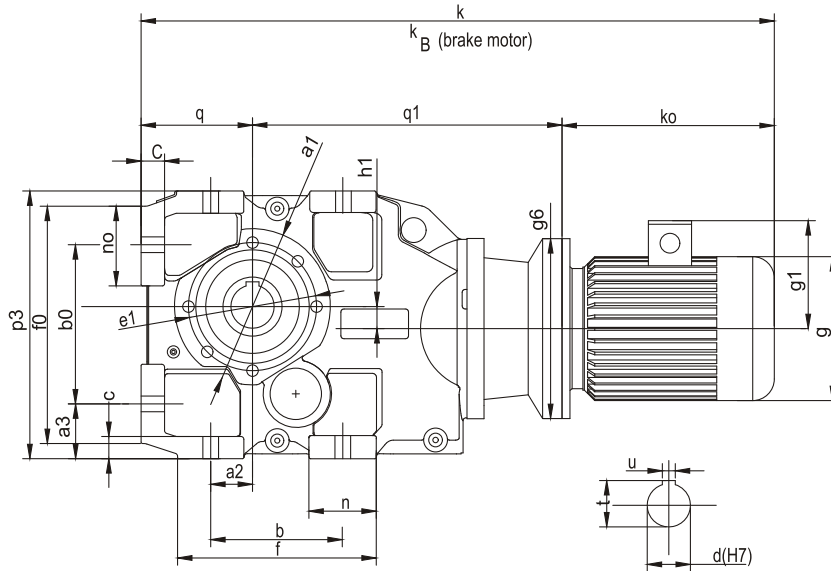


Fig.1

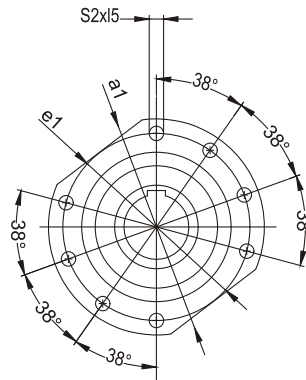


Fig.2

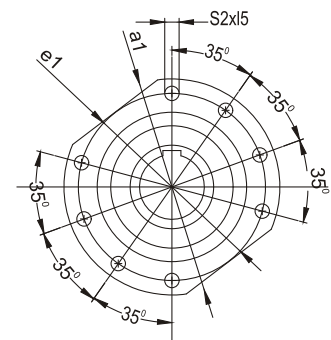


Fig.3

Type	Weight (kg)	g	g1	g6	k(1)	kB(1)	k0(1)	q1	a	a1	a2	a3	b	b0	b1	c	e	e1	f	f0	f1	f4	h	h1	m	n	n0	o	p3	q	s	s2x15	Fig.	d	t	u	
360/80	135.4	156	124	200	822	805	236	431																													
360/90S	137.4	186	129	200	844	824	258	431																													
360/90L	137.4	176	129	200	865	849	279	431																													
360/100	151.5	194	138	250	895	900	309	431																													
360/112	151.5	218	152	250	914	923	328	431																													
360/132S	196.5	258	178	300	957	1001	371	431	180	214	55	70	180	233	155	32	230	178	280	331	4	6	212	32	42	94	112	120	373	155	22	M16x26	1	60	64.4	18	
360/132M	196.5	258	178	300	995	1039	409	431																													
360/160M	235.8	310	223	350	1070	1164	484	431																													
360/160L	235.8	310	232	350	1114	1208	528	431																													
360/180	316.8	355	262	350	1188	1176	602	431																													
365/100	251.2	194	138	250	984	999	309	495																													
365/112	251.2	218	152	250	1003	1022	328	495																													
365/132S	276.3	258	178	300	1047	1084	371	496																													
365/132M	276.3	258	178	300	1085	1122	409	496																													
365/160M	317.4	310	232	350	1159	1256	484	496	240	258	75	75	240	295	180	35	290	220	355	391	4	7	265	38	50	115	128	150	445	180	26	M16x26	3	65	69.4	18	
365/160L	317.4	310	232	350	1203	1300	528	496																													
365/180	398.4	355	290	350	1278	1268	602	496																													
365/200	484.4	390	341	400	1345	1335	669	496																													

'BM' Dimensions (MM)

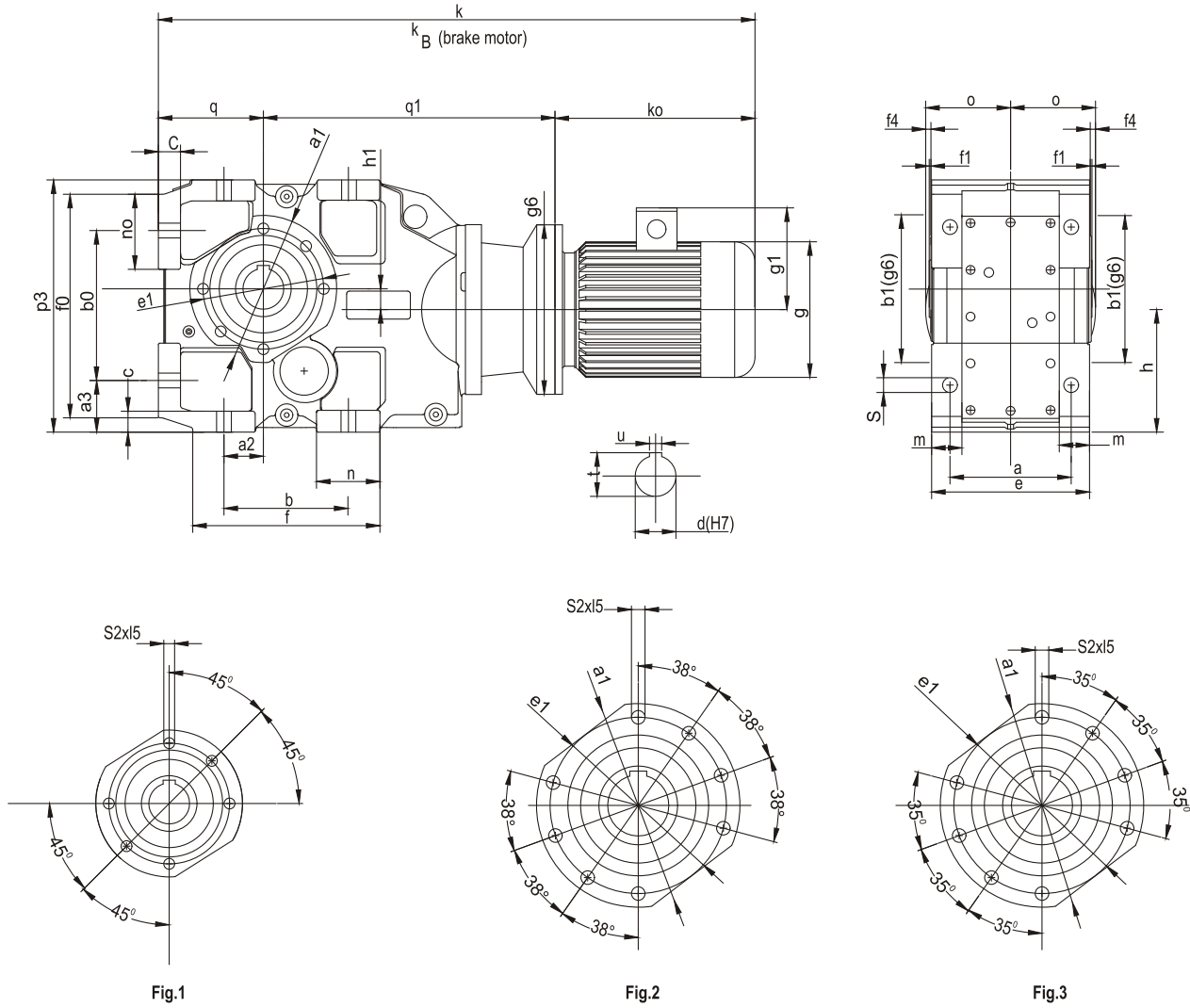


Fig.1

Fig.2

Fig.3

Type	Weight (kg)	g	g1	g6	k(1)	kB(1)	k0(1)	q1	a	a1	a2	a3	b	b0	b1	c	e	e1	f	f0	f1	f4	h	h1	m	n	n0	o	p3	q	s	s2x15	Fig.	d	t	u		
370/100	251.2	194	138	250	984	999	309	495																														
370/112	251.2	218	152	250	1003	1022	328	495																														
370/132S	276.3	258	178	300	1047	1084	371	496																														
370/132M	276.3	258	178	300	1085	1122	409	496																														
370/160M	317.4	310	232	350	1159	1256	484	496	240	258	75	75	240	295	180	35	290	220	355	391	4	7	265	38	50	115	128	150	445	180	26	M16x26	3	70	74.9	20		
370/160M	317.4	310	232	350	1159	1256	484	496																														
370/160L	317.4	310	232	350	1203	1300	528	496																														
370/180	398.4	355	290	350	1278	1268	602	496																														
370/200	484.4	390	341	400	1345	1335	669	496																														
380/132S	399.5	258	178	300	1188	1282	371	597																														
380/132M	399.5	258	178	300	1226	1320	409	597																														
380/160M	464.6	310	232	350	1301	1472	484	597																														
380/160L	464.6	310	232	350	1345	1516	528	597	270	306	95	95	280	360	210	40	340	260	420	480	4	8	315	52	60	141	160	175	550	220	33	M20x30	3	80	85.4	22		
380/180	545.6	355	262	350	1419	-	602	597																														
380/200	629.5	390	341	400	1486	-	669	597																														
380/225S	727.3	399	345	450	1482	-	665	597																														
380/225M	727.3	399	345	450	1495	-	678	597																														

'BM' Dimensions (MM)

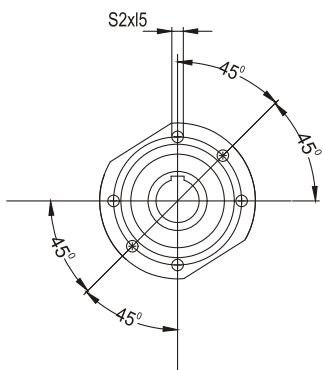
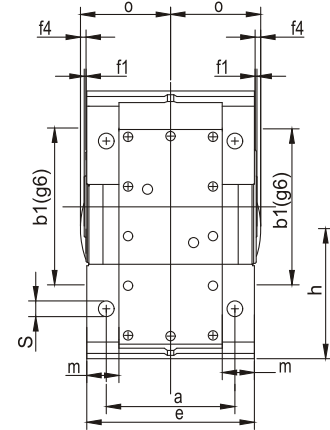
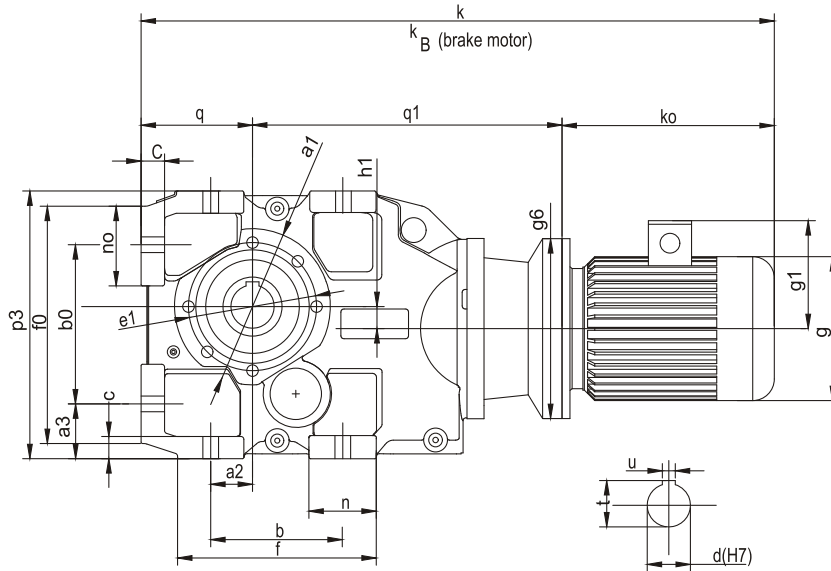


Fig.1

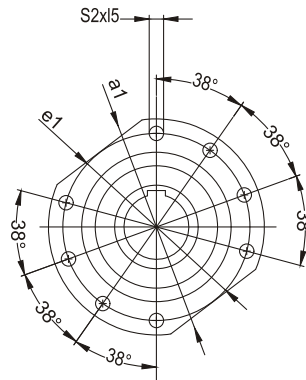


Fig.2

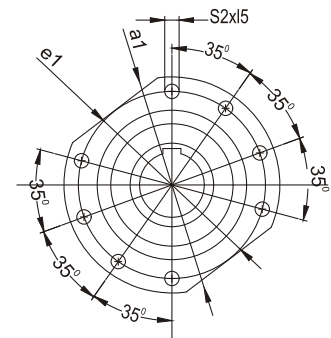


Fig.3

Type	Weight (kg)	g	g1	g6	k(1)	kB(1)	k0(1)	q1	a	a1	a2	a3	b	b0	b1	c	e	e1	f	f0	f1	f4	h	h1	m	n	n0	o	p3	q	s	s2x15	Fig.	d	t	u	
390/132S	399.5	258	178	300	1188	1282	371	597																													
390/132M	399.5	258	178	300	1226	1320	409	597																													
390/160M	464.6	310	232	350	1301	1472	484	597																													
390/160L	464.6	310	232	350	1345	1516	528	597	270	306	95	95	280	360	210	40	340	260	420	480	4	8	315	52	60	141	160	175	550	220	33	M20x30	3	90	95.4	25	
390/180	545.6	355	262	350	1419	-	602	597																													
390/200	629.5	390	341	400	1486	-	669	597																													
390/225S	727.3	399	345	450	1482	-	665	597																													
390/225M	727.3	399	345	450	1495	-	678	597																													

PREMIUM
DURODRIVE

GEARED MOTOR



PREMIUM

Premium Transmission Limited

Head Office : "Premium House" Mumbai-Pune Road, Chinchwad, Pune-411 019, India.
Tel.: (91-20)66314100, 27488947, Fax: (91-20)27450287, 27472384.
Website: www.premiumtransmission.com

Manufacturing Units :

Unit-I : Mumbai - Pune Road, Chinchwad, Pune-411 019, India. Tel.: 91-20-66314100 Fax : 91-20-27450287, 27472384. **Unit-II** : Falta Industrial Growth Centre, Sector-III, Falta, 24 Parganas (South), West Bengal - 743504, India. Tel.: 91-3174-222231 / 32 / 33 / 37, Fax : 91-31749 222234. **Unit-III** : G-56 / 57, MIDC Industrial Area, Chlkalthana, Aurangabad - 431 210, India. Tel.: 91-240-2485521, 2485856, 2485056, Fax : 91-240-2485756. **Unit-IV** : 31-P, MIDC Industrial Area, Chlkalthana, Aurangabad - 431 210, India. Tel.: 91-240-2482858, 2471298, Fax: 91-240-2482857.

Regional Offices :

Mumbai : Corporate Park II, 4th Floor, Sion, Trombay Road, Chembur, Mumbai - 400071 India. Tel.: 91-22-25264750, 25264763, Fax : 91-22-25262622, 25264800. **New Delhi** : Express Building Annexe, 9-10, Bahadur Shah Zafar Marg, New Delhi - 110 002, India. Tel.: 91-11-23730554 (8 Lines), Fax : 91-11-23359782 / 23357739. **Kolkata** : Akash Tower, 5th Floor, 781, Anandapur, Near Ruby Hospital, Kolkata - 700 107. Tel.: 033-40120915 Fax : 033-40120914. **Chennai** : "Wavoo Mansion", 7th Floor, New No. 48 (Old No. 39) Rajaji Salai, Chennai - 600 001, India. Tel.: 91-44-25255200, 91-44-25224557. **Nagpur** : Plot No. 15, State Bank Colony, Ujwal Nagar, Somalwada, Wardha Road, Nagpur - 25. Mobile : 0-9425009827

Branch Offices :

Ahmedabad : 'Jaldarshan' Ashram Road, Navrangpura, Ahmedabad - 380 009, India. Tel.: 91-79-26580428 / 0518 / 1856 / 1857 / 1861, Fax : 91-79-26587783. **Bangalore** : 16/3, Ali Asker Road, Off. Cunningham Road, Bangalore - 560 052, India. Tel.: 91-80-22262062, Fax : 91-80-22253472. **Hyderabad** : 6-2-47, A. C. Guards, 1st Floor, Hyderabad - 500 004, India. Tel.: 91-40-23314025, 23316446, 23390544, Fax : 91-40-23318557. **Kochi** : 39/5567, M. G. Road, Emakuiam, Kochi -682 015, India. Tel.: 91-484-2359661, 2359372, 2359190, Fax: 91-484-2359589.

Representative Offices :

Lucknow : House No. : 56, Yashoda Nagar Colony, Matiyari, Chinhut, Lucknow - 227105, Uttar Pradesh. Mob : 0-9792258000. **Indore** : C6 - Shriverdhan Complex, 4 - RNT Marg, Indore -452001. Mob : 0-8103186304. **Baroda** : A-42, Kailash Park, Near Aims Oxygen, Old Padra Road. Baroda -390022. Mob : 0-9375122012. **Jamshedpur** : Flat No. 61 A, First Floor, Rajendranagar Colony, Sakchi, Jamshedpur 831001, Jharkhand. Mob : 0-9801573451. **Rourkela** : MIG 364, Phase - III, Chhend Colony, Rourkela - 769015. Orissa. Mob: 0-9338503449. **Jaipur** : B-1 A, Vivekanand Colony, Naya Kheda, Near Ambabari, Jaipur - 302012, Rajasthan. Mob : 0-9887720845. **Raipur** : A-10, Shubham Vihar, Behind Anmol Super Market, New Puraina Mahavir Nagar, Raipur - 492001. Chhatisgarh. Mob : 0-9826903132. **Visakhapatnam** : Flat No. 101, Yadu Residency, Rednum Gardens. Ramnagar, Visakhapatnam - 530002. Mob : 0-9866167594. **Coimbatore** : Door No. 55, Rangsam Layout, Pellamedu. Coimbatore - 641004. Mob: 0 -9894295769. **Surat** : M-19, Shrinath Complex, Opp. Dream Honda Showroom, Jeevanjyot Cinema, Udhna, Surat - 394210. Mob : 9727155864. **Ludhiana** : H. No. 36A, IIInd Floor, Shastri Nagar, (Model Town), Ludhiana (PB.), Mob: 9815177444

International Office :

South Africa : No. 27, Canterbury Close, No. 6, North Avenue, Riviera, Johannesburg 2193, South Africa. Tel.: +27 11 486 2647, Mob : +27 82 399 5782. **UAE** : Sharjah, UAE. Tel.: 00971 6 5573081, Fax : 00971 6 5573082, Mob : 056 7979863.

